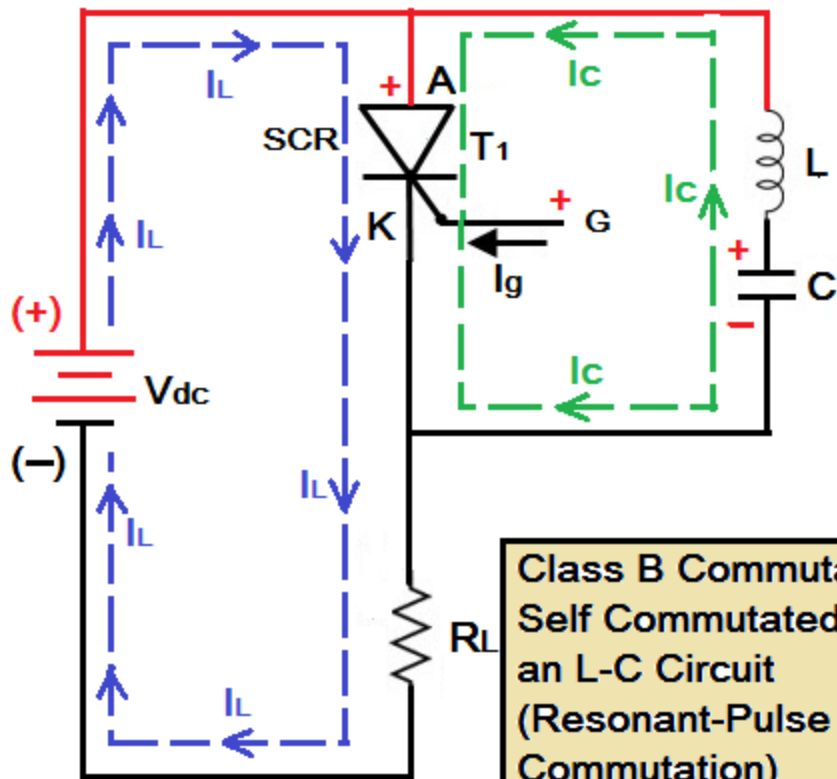


Class B Commutation:
 Self Commutated by
 an L-C Circuit
 (Resonant-Pulse
 Commutation)



Class B Commutation:
 Self Commutated by
 an L-C Circuit
 (Resonant-Pulse
 Commutation)

